

# Endangered Archives Programme

BRITISH LIBRARY

## Making a Phase Box



Phase boxes are ideal for storing volumes, or a collection of single sheet material. They are made of a rigid thick card which provides protection for the contents, and are particularly useful for housing items in poor condition or with damaged/loose parts to protect and prevent pieces becoming lost.

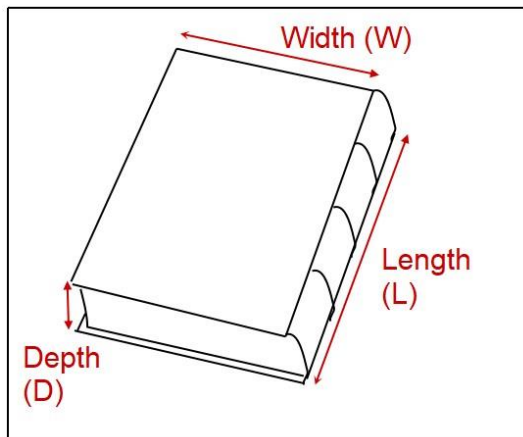
Materials:

- Card
- Ruler
- Pencil
- Knife/scalpel
- Tool to score with

- Surface to cut on
- Glue
- Weights
- A clean flat board

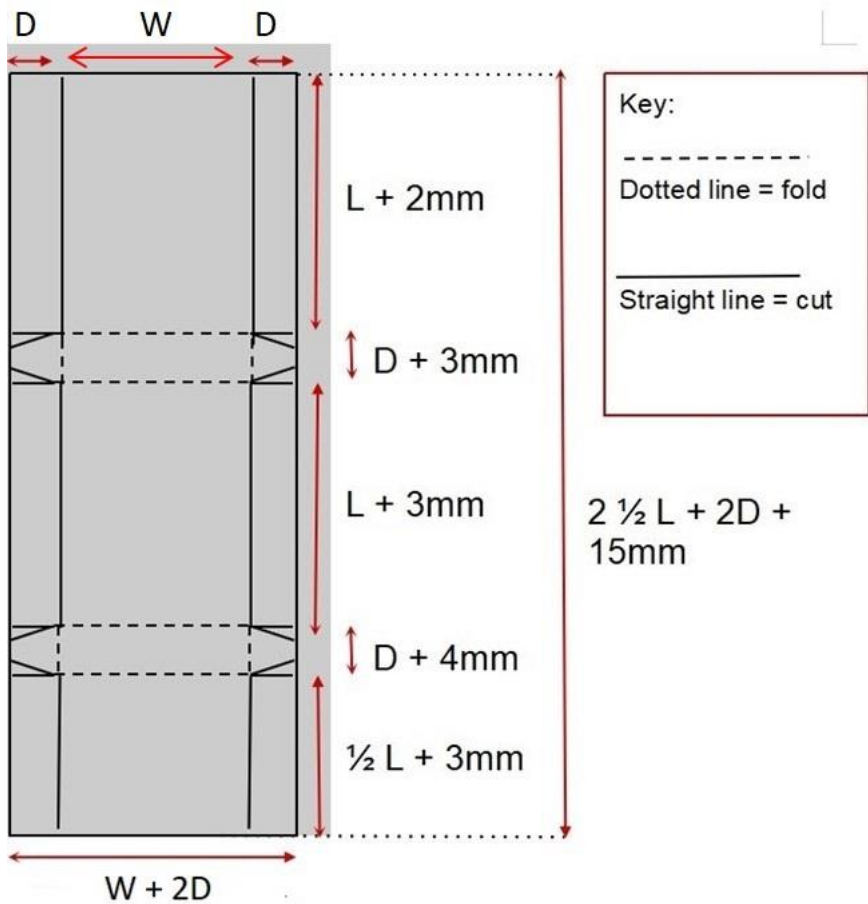
## Step 1 - Measure your book

Measure the Height, Width and Depth of the volume you are making the enclosure for. Do this in millimetres.

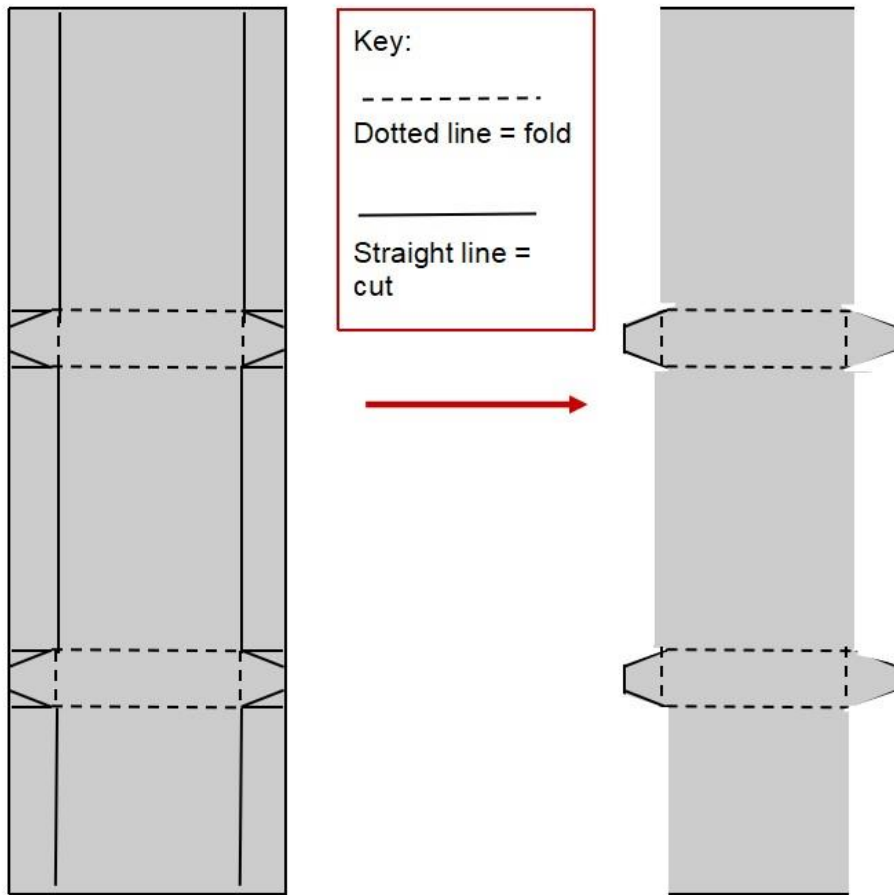


A phase box is made of two pieces glued together: a vertical piece and a horizontal piece.

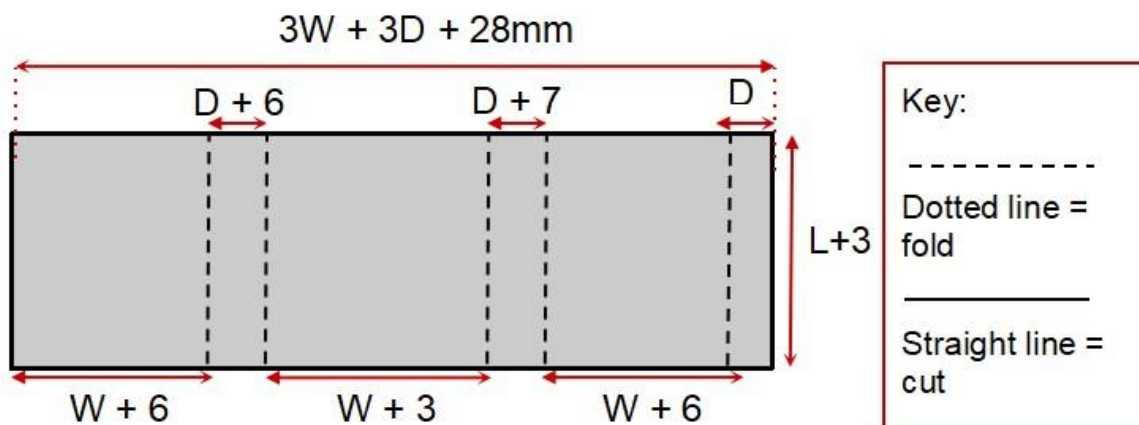
## Step 2 - Mark your vertical piece using your measurements



**Step 3 - Cut out your vertical piece**



**Step 4 - Mark and cut out your horizontal piece**



**Step 4 - Scoring and folding**

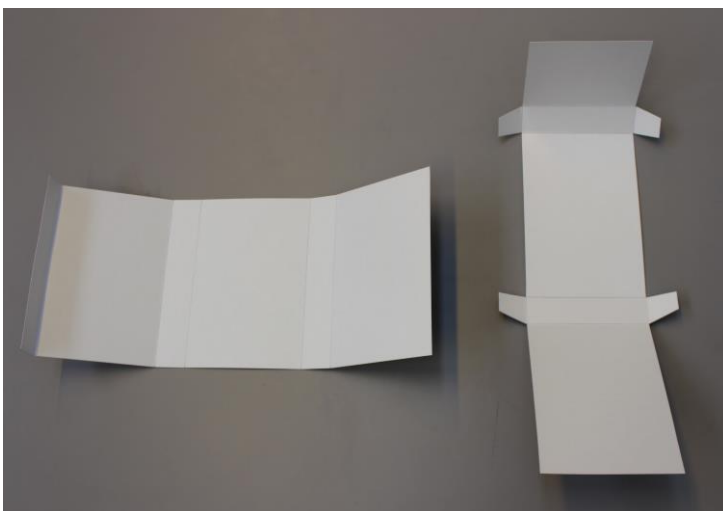
Using your scoring tool and a ruler score along the folds (shown in the diagram with a dotted line).



Use the ruler to keep a straight line as you crease the fold.

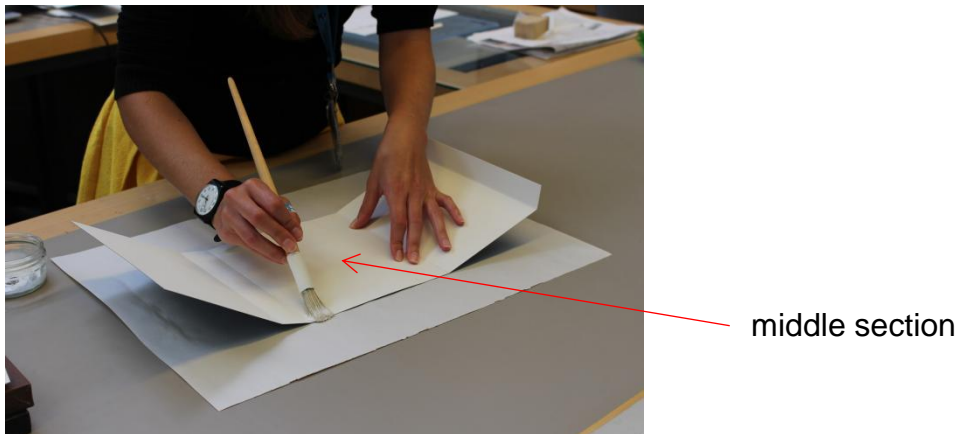


You will now have two pieces like this:

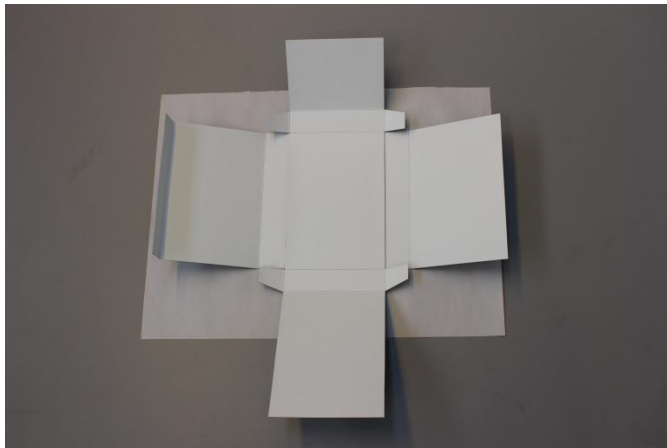


**Step 5 - Gluing the box together**

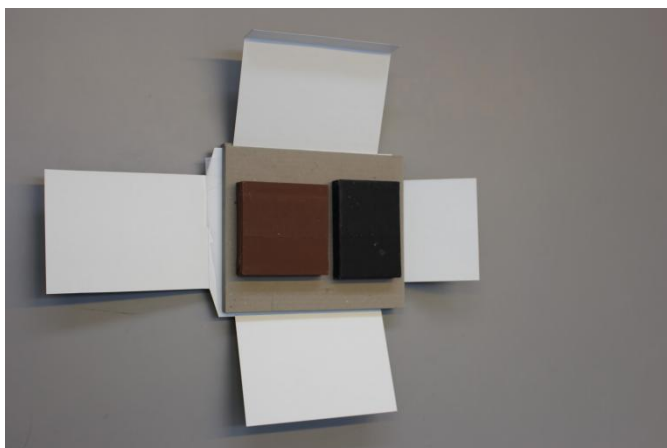
Apply glue to the middle section of the horizontal piece as shown:



Place the vertical piece on top of the horizontal piece as shown:

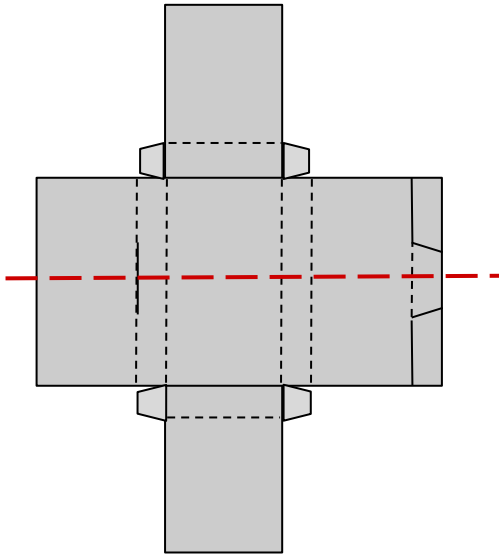


Press with a board and weights for at least 20 minutes:

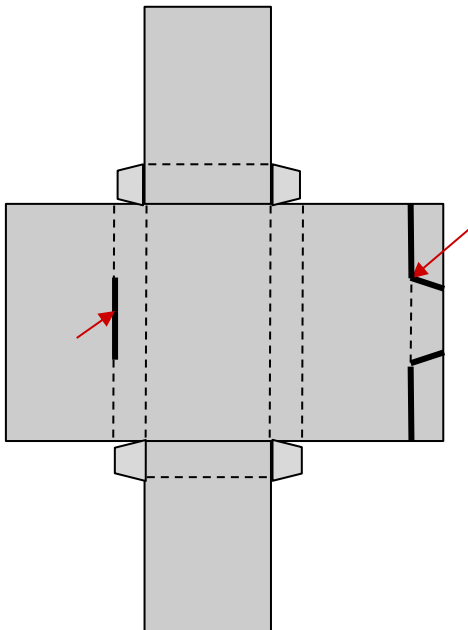


**Step 6 - Cutting tab and slot**

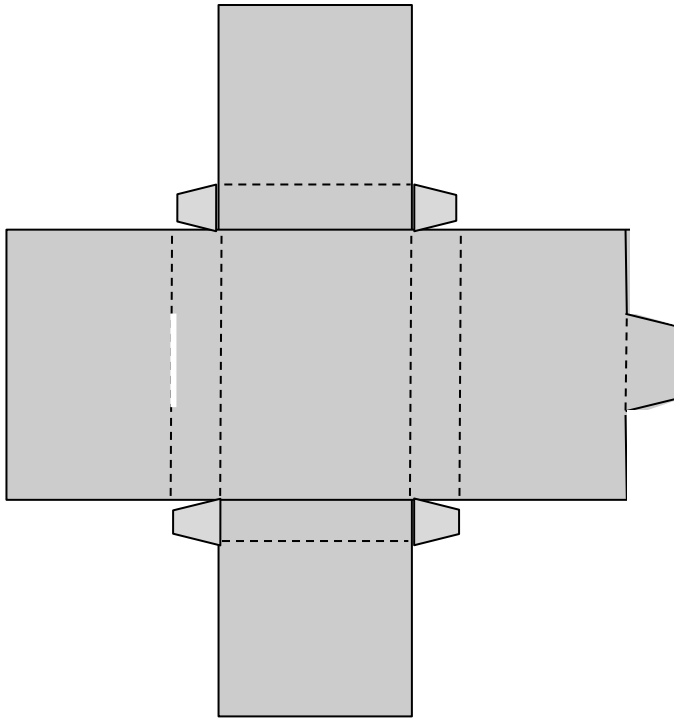
Mark halfway across the centre of the unfolded box



Measure and mark on the tab and slot - the length is up to you:



Cut the slot and cut out the tab. The slot should be 2mm wider than the width of the tab.



### Step 7 - Place your book in the box

Place your book in the phase box. The numbers on the flaps show the order of closing around the volume:

